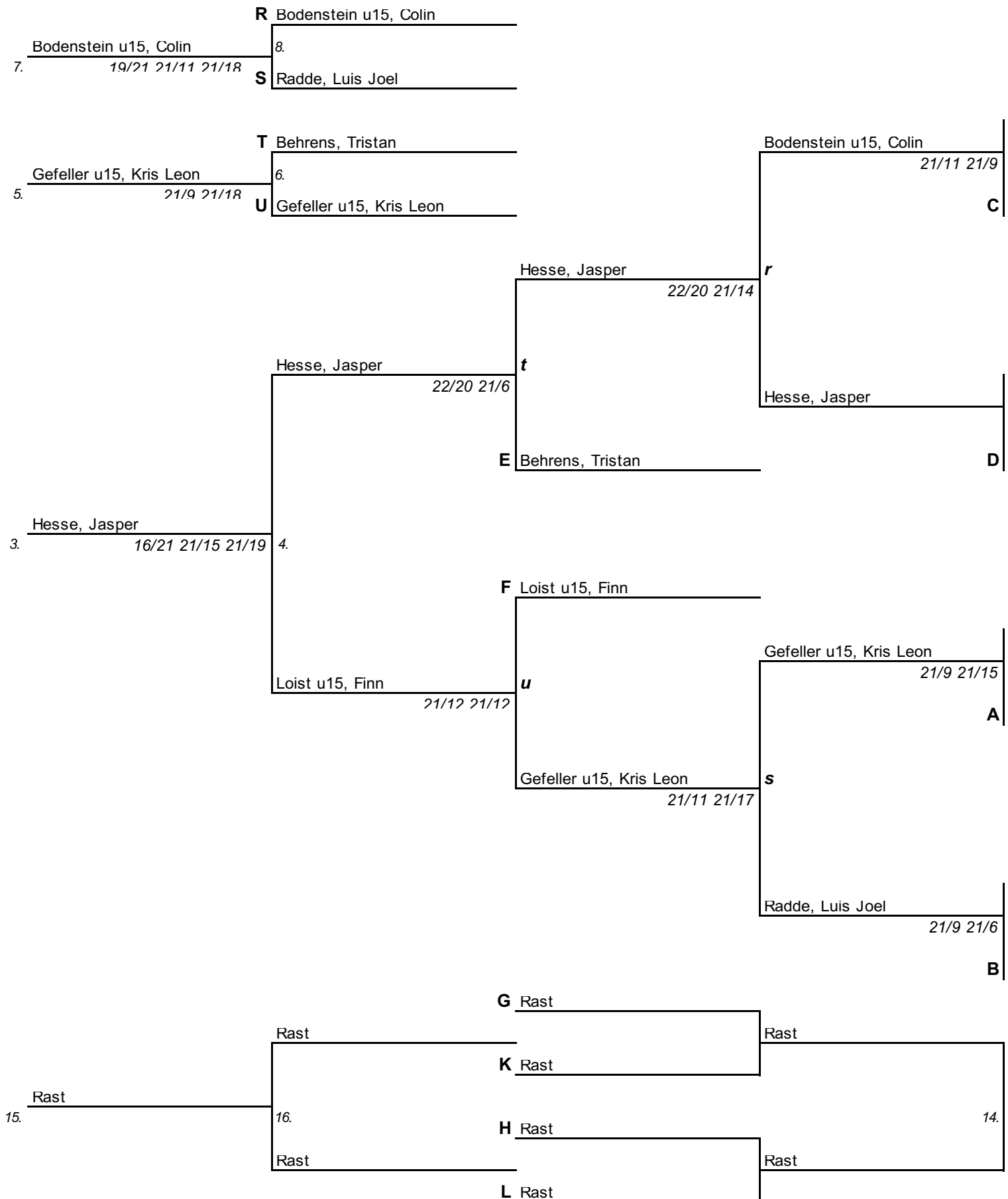
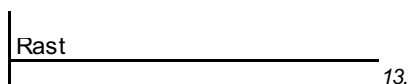
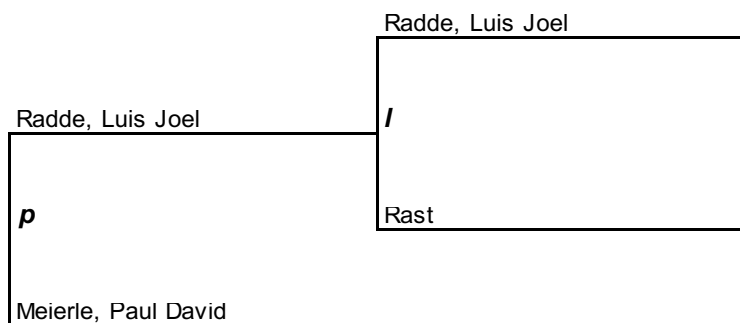
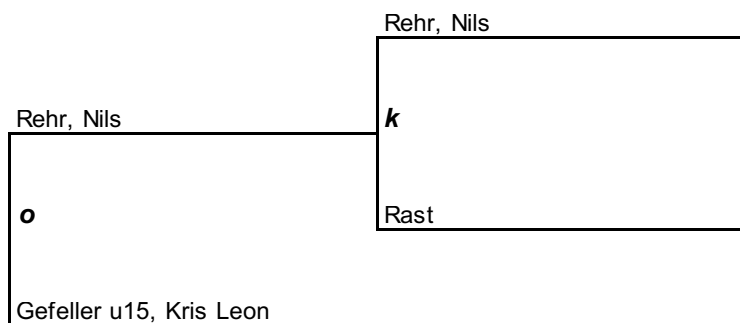
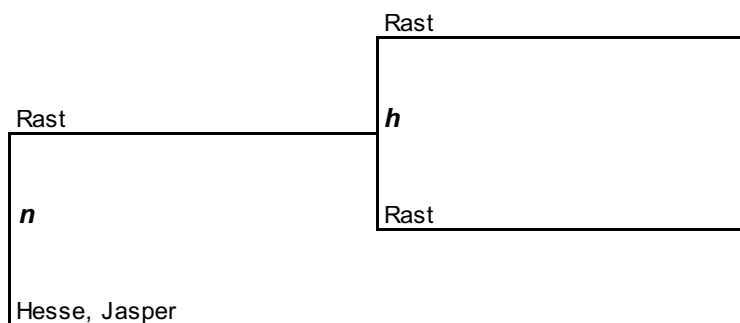
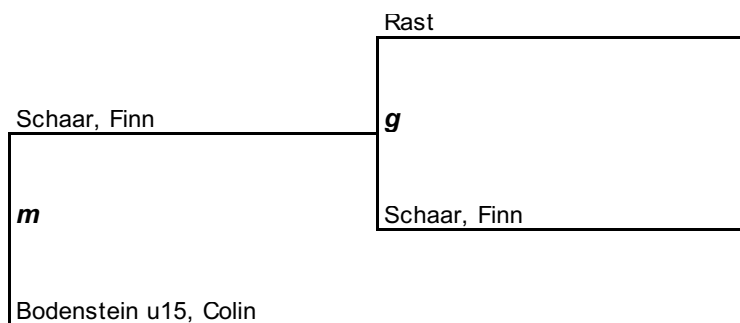


# Minicup

Ausrichter: TuS Reppenstedt

16er Ranglistensystem Trostrunde bis Platz 3





# Disziplin

<b>1</b>	{U15}* Gefeller u15, Kris Leon SV Schamebeck	Gefeller u15, Kris Leon	
#	Rast		
<b>8</b>	Schaar, Finn MTV Pattensen	Schiller, Kai Leonard 21/6 21/10	<b>a</b> Schiller, Kai Leonard 21/10 21/6
<b>9</b>	Schiller, Kai Leonard SV Schamebeck		
<b>4</b>	Meierle, Paul David TuS Reppenstedt	Meierle, Paul David	<b>e</b>
#	Rast		
<b>5</b>	Behrens, Tristan TSV Adendorf	Behrens, Tristan	<b>b</b> Behrens, Tristan 21/1 21/9
#	Rast		
#	Seemann, Emil TSV Adendorf	Seemann, Emil 21/3 21/2	<b>c</b> Seemann, Emil 21/7 21/6
<b>6</b>	Rehr, Nils TSV Adendorf		
#	Rast	Bodenstein u15, Colin	<b>f</b>
<b>3</b>	{U15}* Bodenstein u15, Colin MTV Pattensen		
#	Hesse, Jasper SV Schamebeck	Hesse, Jasper 21/4 21/11	<b>d</b> Loist u15, Finn 14/21 21/18 21/14
<b>7</b>	Radde, Luis Joel TuS Reppenstedt		
#	Rast	Loist u15, Finn	
<b>2</b>	{U15}* Loist u15, Finn SV Schamebeck		

\* Setzplatz

		<b>M</b> Schaar, Finn
	Rehr, Nils	
		<b>O</b> Rehr, Nils
<b>11.</b>	Rehr, Nils	
		<b>N</b> Rast
<b>12.</b>	Rast	
		<b>P</b> Meierle, Paul David

# JE U13/15

